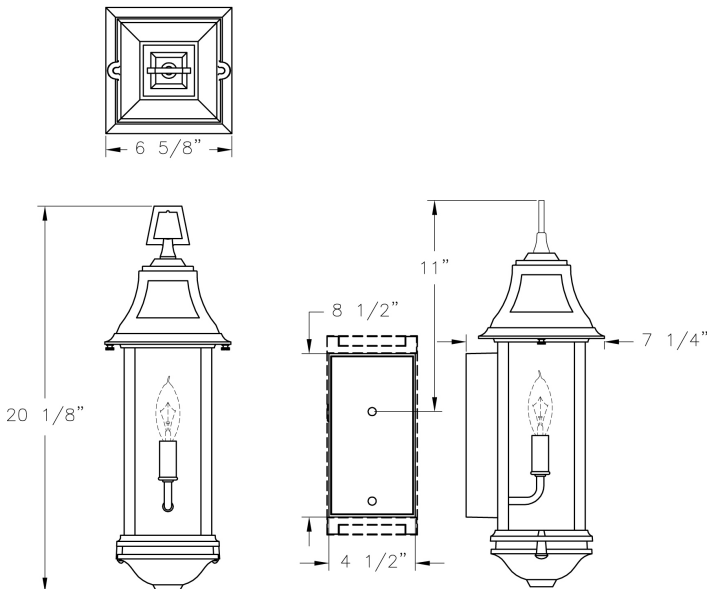


Small Salem Wall Mount (B8902) Specification Sheet

Project Name:	Location:	MFG: Philips Lighting
Fixture Type:	Catalog No.:	Qty:



Ordering Guide

Example: B8902 ABS A C1

Product Code	B8902	Small Salem Wall Mount
Finish	ABS ACP ARD ASI BLK BRN BRZ FGN GRA IRN RBZ SRT VBZ VCP VGN VTC WBZ WHT	Antique Brass Antique Copper Antique Red Antique Silver Black Brown Bronze Forest Green Granite Ironstone Rustic Bronze Shadow Rust Verde Bronze Verde Copper Verde Vintage Copper Weathered Bronze White
Panel/Globe	A C E B D P M Q	Clear Acrylic (standard) Clear Seeded Acrylic Clear Textured Acrylic Opal Acrylic Bronze Tone Acrylic Clear Polycarbonate Opal Polycarbonate Prismatic Polycarbonate
Lamping	C1	Candelabra

Specifications

CONSTRUCTION:

Cast aluminum wall bracket. Cast aluminum roof. To relamp, remove two (2) screws. Cast aluminum top & bottom cage frame attaches to legs with machine screws. Extruded aluminum legs with "U" channels secure cage panels. Cast aluminum loop. Cast aluminum bottom attaches to cage frame.

FINISH:

Resilient TGIC thermoset polyester powdercoat paint is electrostatically applied to every fixture. Specially formulated for Philips Outdoor Lighting, it provides UV protection, and the highest temperature rating in the industry. In addition to the standard color choices shown, a spectrum of custom colors is available.

PANELS/LENS/GLOBE:

Set of 3 Clear Acrylic (CA) panels (standard). Acrylic panels only. Higher wattages may be used only with glass panels installed.

LAMPING:

25W maximum B10 lamp per candelabra base. Lamp is not included. Higher wattages may be used only with glass panels installed.

ELECTRICAL ASSEMBLY:

Single Candelabra socket with painted aluminum sleeve. Fixture is pre-wired with 18 AWG black, white, and ground wires. Lantern will be prewired and tested. All electrical components are ETL listed.

MOUNTING:

See template for dimensions & mounting instructions.

WARRANTY:

Small Salem Wall Mount (B8902) Specification Sheet

Project Name:	Location:	MFG: Philips Lighting
Fixture Type:	Catalog No.:	Qty:

Lifetime limited warranty.

CERTIFICATIONS:

ETL Listed to U.S. safety standards for wet locations. cETL Listed to Canadian safety standards for wet locations.

Height:

20 1/8"

Width:

6 5/8"

Projection:

7 1/4"

Top to Outlet:

11"

Max. Weight: